

aprilvia

ORIGINAL SPARE PARTS ORIGINAL
aprilvia ORIGINAL SPARE PARTS aprilvia
ORIGINAL SPARE PARTS ORIGINAL SPARE PARTS
aprilvia ORIGINAL SPARE PARTS ORIGINAL SPARE PARTS
aprilvia ORIGINAL SPARE PARTS ORIGINAL SPARE PARTS

catalogo ricambi
spare parts catalogue

TYPE

TIPO 122

STRADA

CUSTOM

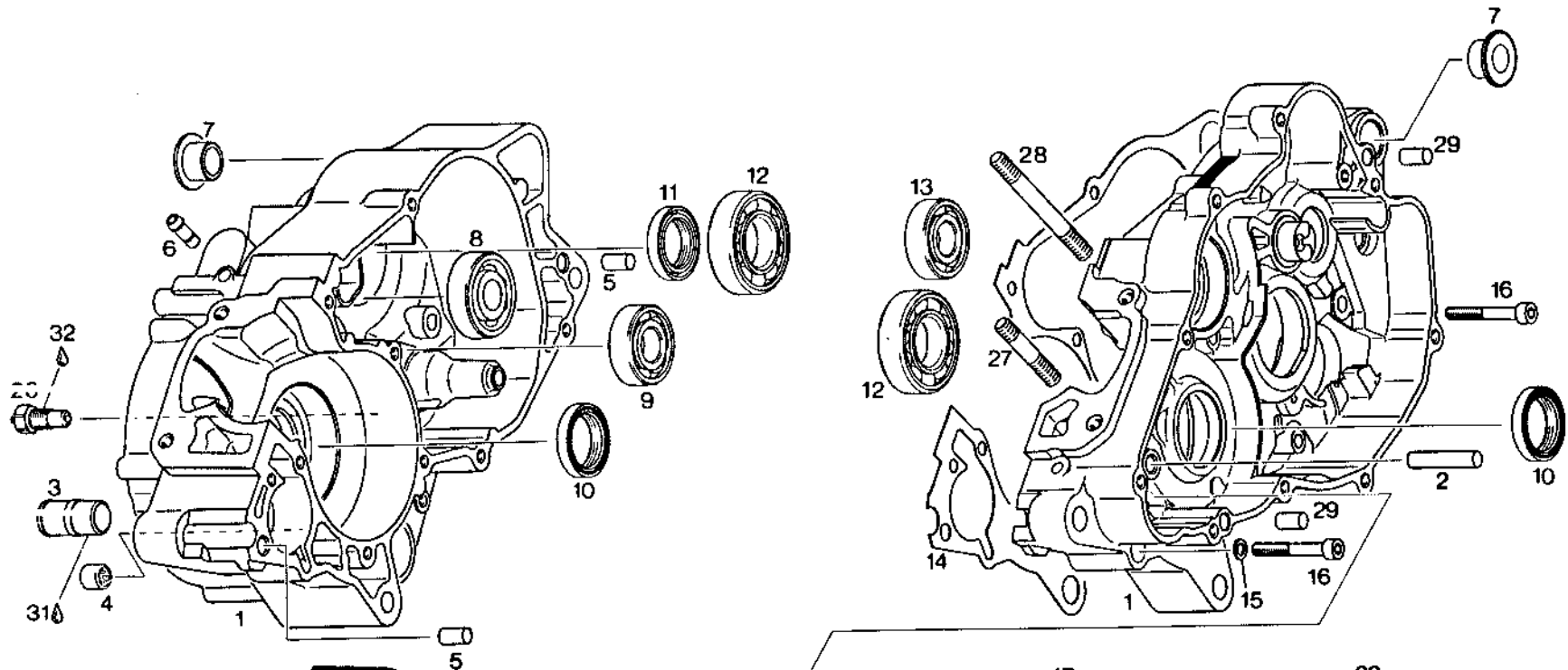
Nr.: 904

AUSGABE:

EDITION: 04 1995

EDIZIONE:





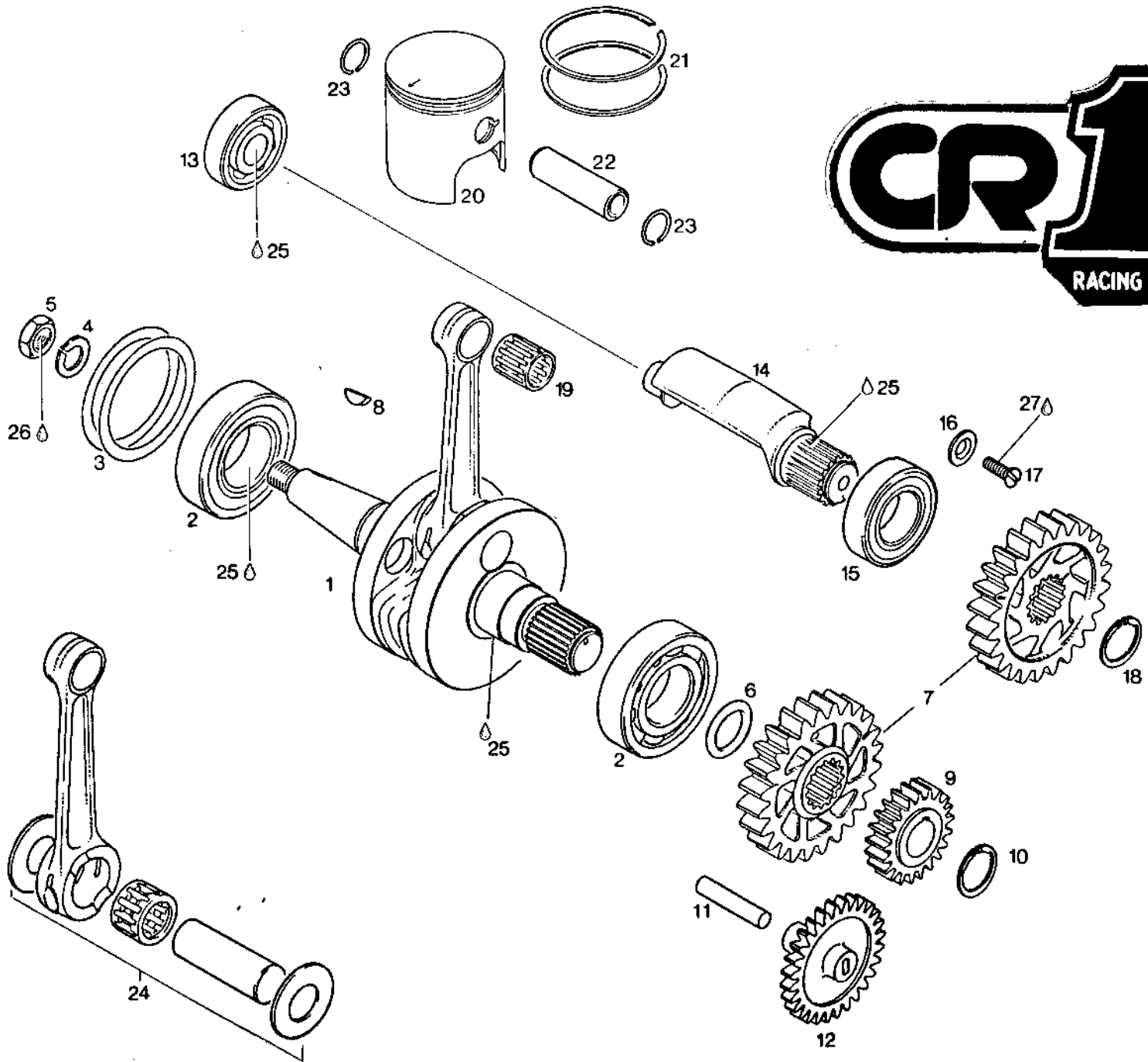
KURBELGEHAEUSE, GETRIEBELAGER, WASSERPUMPE
 CRANKCASE, GEARBOX BEARINGS, WATER PUMP
 CARTER MOTORE, CUSCINETTI TRASMISSIONE,
 POMPA ACQUA

BILD-NR. ILL. NO. FIG.	TEILE-NR. PART NO. CODICE	B E Z E I C H N U N G D E S C R I P T I O N D E S C R I Z I O N E	STUECK QTY. QTA.
1 - 6	295 385 296 194	GEHAEUSE-KPL. CRANKCASE ASSY., LIGHT GRAY CARTER MOTORE CPL., GRIGIO CHIARO..... HELLGRAU, FUER KICK- UND ELEKTROSTARTER VERWENDBAR USABLE FOR KICK- AND ELECTRIC STARTER VERSION PER VERSIONE M/M E MOTORINO D'AVVIAMENTO	1
2	229 330	ZYLINDERSTIFT 8 KLEIN M6X40 LOCATING PIN 6X40 / SPINA 6X40.....	1
3	224 260	ZULAUFROHR / TUBE / TUBO.....	1
4	232 275	NADELHUELSE 8X12X8 NEEDLE BUSHING 8X12X8 GABBIA A RULLI 8X12X8.....	1
5	632 010	ZYLINDERROLLE 8X12 DIN 5402 / PIN 8X12 GRAND 8X12.....	2
6	924 150	IMPULSNIPPEL / IMPULSE NIPPLE RACCORDO IMPULSO.....	1
7	247 555	BUNDBUECHSE / SLEEVE / BUSSOLA.....	2
8	232 291	RK-LAGER 6302 TN9/C3 BALL BEARING 6302 TN9C3/15-42-13 CUSCINETTO 6302 TN9 C3/ 15-42-13..... 15-42-13, FUER AUSGLEICHSWELLE FOR BALANCE SHAFT PER CONTRALBERO	1
9	932 032	RK-LAGER 6203 TVH C3 BALL BEAR. 6203 TVH C3, 17-40-12 CUSCINETTO 6203 TVH C3, 17-40-12..... 17-40-12, FUER VORGELEGEWELLE MAGNETSEITIG FOR CLUTCH SHAFT, MAGNETO SIDE PER ALBERO PRIMARIO, LATO MAGNETE	1
10	230 425	WD-RING AS 28X38X7 NBR / OIL SEAL 28X38X7 PARAOILIO 28X38X7..... FUER KURBELWELLE FOR CRANKSHAFT PER ALBERO MOTORE	2

BILD-NR. ILL. NO. FIG.	TEILE-NR. PART NO. CODICE	B E Z E I C H N U N G D E S C R I P T I O N D E S C R I Z I O N E	STUECK QTY. QTA.
11	930 675	WD-RING AS 25X38X7 NBR / OIL SEAL 25X38X7 PARAOLIO 25X38X7..... FUER HAUPTWELLE FOR MAIN SHAFT PER ALBERO SECONDARIO	1
12	232 765	RK-LAGER 6205 TVH BALL BEARING 6205 TVH / 25-52-15 CUSCINETTO 6205 TVH / 25-52-15..... 25-52-15, FUER HAUPTWELLE MAGNETSEITIG UND VORGELEGEWELLE KUPPLUNGSSEITIG FOR MAIN SHAFT MAGNETO SIDE AND CLUTCH SHAFT CLUTCH SIDE PER ALBERO SECONDARIO LATO MAGNETE E ALBERO PRIMARIO LATO FRIZIONE	2
13	932 032	RK-LAGER 6203 TVH C3 BALL BEAR. 6203 TVH C3, 17-40-12 CUSCINETTO 6203 TVH C3, 17-40-12..... FUER HAUPTWELLE MAGNETSEITIG FOR MAIN SHAFT MAGNETO SIDE PER ALBERO SECONDARIO LATO MAGNETO	1
14	650 130	DICHTUNG / GASKET / GUARNIZIONE.....	1
15	230 415	DICHTRING A 6X10 DIN 7603 GASKET RING A 6X10 ANELLO GUARNIZIONE A 6X10.....	1
16	241 821	ZYL.SCHRAUBE M6X45 DIN 912 ALLEN SCREW M6X45 / BRUGOLA M6X45.....	10
17 - 24	293 417	WASSERPUMPE KPL. / WATER PUMP ASSY., POMPA ACQUA CPL.....	1
17	222 182	WASSERPUMPENGEHAEUSE / WATER PUMP HOUSING CORPO POMPA ACQUA.....	1
18	230 195	WD-RING A 10X26X7 NBR / OIL SEAL 10X26X7 PARAOLIO 10X26X7.....	2
19	237 912	WASSERPUMPENWELLE / WATER PUMP SHAFT ALBERO POMPA ACQUA.....	1
20	229 280	SPANNHUELSE 4X16 DIN 1481 SLOTTED SPRING PIN 4X16 / SPINA 4X16.....	2
21	827 590	ANLAUFSSCHEIBE 10,1/17/1 THRUST WASHER 10,1/17/1 RASAMENTO 10,1/17/1.....	1
22	222 195	LAUFRAD / IMPELLER / GIRANTE.....	1

BILD-NR. ILL. NO. FIG.	TEILE-NR. PART NO. CODICE	B E Z E I C H N U N G D E S C R I P T I O N D E S C R I Z I O N E	STUECK QTY. QTA.
23	234 415	WASSERPUMPENRITZEL 16 Z WATER PUMP PINION 16 T PIGNONE POMPA ACQUA.....	1
24	430 060	O-RING DIN 3771-26,7X1,8-N O-RING 26,7X1,8 / ANELLO OR 26,7X1,8.....	2
25	241 270	TAPTITE-SCHRAUBE M5X25 TAPTITE-SCREW M5X25 / VITE TAPTITE M5X25.	1
26	640 190	KONTAKTSCHRAUBE M10 KPL. CONTACT SCREW M10 ASSY., VITE CONTATTO M10 CPL.,.....	1
27	241 381	STIFTSCHRAUBE M8X28/20 / STUD M8X28/20 PRIGIONIERO M8X28/20.....	2
28	940 786	STIFTSCHRAUBE M8X57/20 / STUD M8X57/20 PRIGIONIERO M8X57/20.....	2
29	632 010	ZYLINDERROLLE 8X12 DIN 5402 / PIN 8X12 GRAND 8X12.....	2
30	897 161	MOLYKOTE 111 MOLYKOTE 111, 100 GR., MOLYKOTE 111, 100 GR.,..... SILIKONFETT, 100 GR., SILICONE GREASE GRASSO SILICONE	N BED AS REQ A RICH
31	899 738	LOCTITE 648 GRUEN LOCTITE 648 GREEN, 5 GR., LOCTITE 648 VERDE, 5 GR.,..... SCHRAUBENSICHERUNG HOCHFEST, 5. GR., HIGH STRENGTH BOND PASTA FISSAGGIO VITI, FORTE	N BED AS REQ A RICH
32	297 386	SILASTIC 732 RTV SILASTIC 732 RTV, 100 GR., SILASTIC 732 RTV, 100 GP.,.....	N BED AS REQ A RICH





KURBELWELLE, AUSGLEICHSTRIEB, KOLBEN
CRANKSHAFT, BALANCER-DRIVE, PISTON
ALBERO MOTORE, CONGEGNO PER CONTRALBERO, PISTONE

BILD-NR. ILL. NO. FIG.	TEILE-NR. PART NO. CODICE	B E Z E I C H N U N G D E S C R I P T I O N D E S C R I Z I O N E	STUECK QTY. QTA.
1	295 373	KURBELWELLE-KPL. / CRANKSHAFT ASSY., ALBERO MOTORE CPL.,..... HUB 54,5 MM STROKE 54,5 MM CORSA 54,5 MM	1
2	932 588	RK-LAGER 6206 TNH C4 BALL BEAR. 6206 TNH C4 30-62-16 CUSCINETTO 6206 TNH C4 30-62-16..... 30-62-16	2
3	427 590	PASSSCHEIBE 50X62X0,1 DIN 988 SHIM 50X62X0,1 SPESSORE 50X62X0,1.....	N BED AS REQ A RICH
3	427 591	PASSSCHEIBE 50X62X0,3 DIN 988 SHIM 50X62X0,3 SPESSORE 50X62X0,3.....	N BED AS REQ A RICH
4	945 754	FEDERRING DIN 128-A12-FST LOCK WASHER A12 / RONDELLA SPACCATO A12..	1
5	642 051	SK-MUTTER M12X1 HOEHE 6 SW 17 HEX. NUT M12X1 / DADO M12X1..... ANZUGSDREHMOMENT 70 NM TIGHTENING TORQUE 70 NM COPPIA DI SERRAGGIO 70 NM	1
6	430 460	O-RING DIN 3771-18X3,5-N / O-RING 18X3,5 ANELLO OR 18X3,5.....	1
7	234 431	AUSGLEICHSRAD 27 Z BALANCING GEAR 27 T., INGRAN. COMANDO CONTRALBERO 27 D.....	2
8	246 570	SCHEIBENFEDER 4X5 DIN 6888 WOODRUFF KEY 4X5 / LINGUETTA 4X5.....	2
9	295 405	PRIMAERTRIEB KPL. / PRIMARY DRIVE ASSY., TRASMISSIONE PRIMARIA CPL.,..... NUR ANTRIEBSRAD MIT KUPPLUNGSKORB KPL. GEMEINSAM AUSTAUSCHEN. REPLACE ONLY DRIVE GEAR WITH CLUTCH DRUM ASSY. CAMBIARE SOLO L'INGRANAGGIO E LA CAMPANA FRIZIONE INSIEME	1
10	245 650	SEEGER-V-RING AV 20 RETAINING RING AV 20 / SEEGER AV 20.....	1

N.R. : X SPORT-ORO È OMOLOGATO SOLO L'ALBERO MOTORE
295371 (CHE ALTRO NOME È CHE IL COD. 295373 C/1 RESATUR.)

BILD-NR. ILL. NO. FIG.	TEILE-NR. PART NO. CODICE	B E Z E I C H N U N G D E S C R I P T I O N D E S C R I Z I O N E	STUECK QTY. QTA.
11	229 380	ZYLINDERSTIFT 8 KLEIN M6X40 LOCATING PIN 6X40 / SPINA 6X40.....	1
12	634 035	WASSERPUMPENZWISCHENRAD 28/13Z IDLE GEAR 28/13 T., INGRANAGGIO INTERMEDIO 28/13 D.....	1
		FUER WASSERPUMPE UND OELPUMPE FOR WATER PUMP AND OIL PUMP PER POMPA ACQUA E POMPA OLIO	
13	232 291	RK-LAGER 6302 TN9/C3 BALL BEARING 6302 TN9C3/15-42-13 CUSCINETTO 6302 TN9 C3/ 15-42-13.....	1
		15-42-13, FUER AUSGLEICHSWELLE MAGNETSEITIG FOR BALANCE SHAFT MAGNETO SIDE PER CONTRALBERO LATO MAGNETE	
14	237 945	AUSGLEICHSWELLE / BALANCE SHAFT CONTRALBERO.....	1
15	232 340	RK-LAGER 6005 E TNH C3 BALL BEARING 6005 E C3/ 25-47-12 CUSCINETTO 6005 E C3 / 25-47-12.....	1
		25-47-12, FUER AUSGLEICHSWELLE KUPPLUNGSSEITIG FOR BALANCE SHAFT CLUTCH SIDE PER CONTRALBERO LATO FIZIONE	
16	227 280	HALTESCHEIBE / THRUST WASHER / RASAMENTO.	1
17	940 315	SENKSCHRAUBE M5X12 DIN 963 COUNTERSUNK SCREW M5X12 / VITE M5X12.....	1
18	245 650	SEEGER-V-RING AV 20 RETAINING RING AV 20 / SEEGER AV 20.....	1
19	932 028	KOLBENBDLZENKAEFIG K 15X19X20 NEEDLE CAGE 15X19X20 GABBIA A RULLI 15X19X20.....	1
20 - 21	294 583	KOLBEN KPL. 53,98/53,99 MM PISTON ASSY. 53,98/53,99 MM PISTONE CPL., 53,98/53,99 MM.....	1
		MIT RINGEN, STANDARD WITH RINGS, STANDARD CON SEGMENTI, STANDARD	
20 - 21	294 757	KOLBEN KPL. 54,00 MM PISTON ASSY. 54,00 MM PISTONE CPL. 54,00 MM.....	1
		MIT RINGEN, 1. UEBERMASS WITH RINGS, 1ST OVERSIZE CON SEGMENTI, 1A MAGGIORAZIONE	



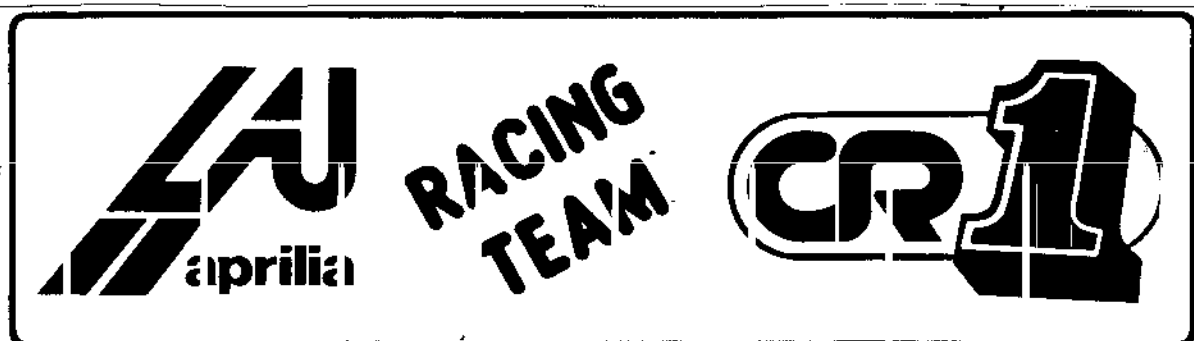
CENTRO RICAMBI ^{SRL}

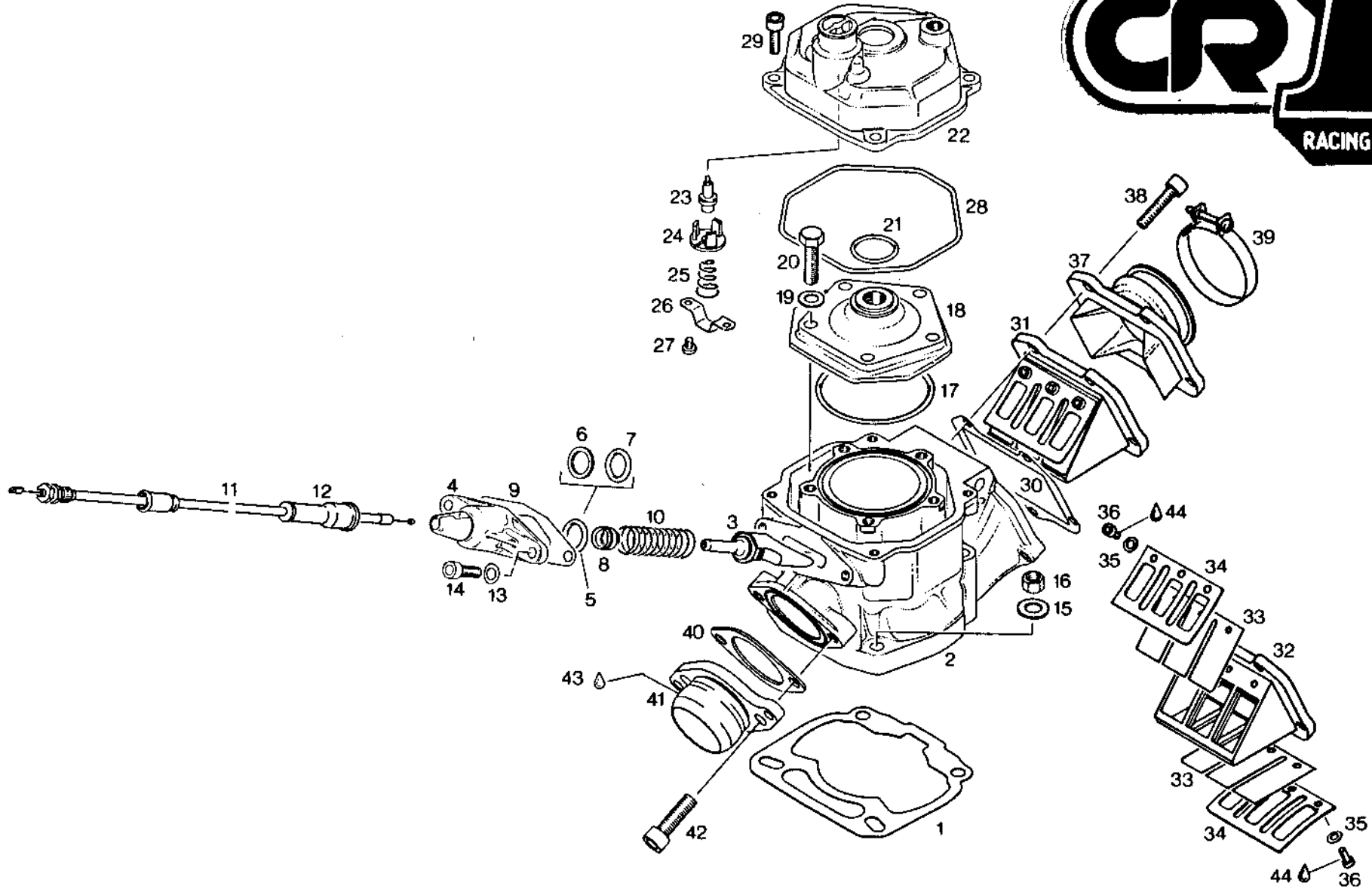
viii CIMABUE, 24/A - 50121 FIRENZE (ITALY)

TEL. (+39) 055-66.64.23 - FAX (+39) 055-67.01.84

e-mail: cr1firenze@tiscali.it

BILD-NR. ILL. NO. FIG.	TEILE-NR. PART NO. CODICE	B E Z E I C H N U N G D E S C R I P T I O N D E S C R I Z I D N E	STUECK QTY. QTA.
20 - 21	294 758	KOLBEN KPL. 54,01 MM PISTON ASSY 54,01 MM PISTONE CPL. 54,01 MM..... MIT RINGEN, 2. UEBERMASS WITH RINGS, 2ND OVERSIZE CON SEGMENTI, 2A MAGGIORAZIONE	1
21	215 670	R-RING 54X1,2X2,3 RECTANGULAR RING 54X1,2X2,3 SEGMENTO R 54X1,2X2,3..... 1,2 MM BREIT 1,2 MM WIDE LARGHEZZA 1,2 MM	2
22	216 136	KOLBENBOLZEN 15X9/11,4X45,6 PISTON PIN 15X9/11,4X45,6 SPINOTTO 15X9/11,4X45,6.....	1
23	945 635	NULLHAKENRING 15 / CIRCLIP 15 ANELLINO 15..... NUR 1 X VERWENDBAR USE ONLY ONCE USARE SOLO UNA VOLTA	2
24	295 374	KURBELWELLENSATZ / CRANKSHAFT REPAIR KIT GRUPPO BIELLA.....	1
25	297 431	LOCTITE-ANTI-SEIZE 76710 LOCTITE ANTI-SEIZE 76710 10 GR., LOCTITE ANTI-SEIZE 76710 10 GR.,..... ZUR VERHINDERUNG VON PASSUNGSROST, 10 GR., TO PREVENT METAL GALLING PER EVITARE CORROSIONE	N BED AS REQ A RICH
26	899 788	LOCTITE 648 GRUEN LOCTITE 648 GREEN, 5 GR., LOCTITE 648 VERDE, 5 GP.,..... SCHRAUBENSICHERUNG HOCHFEST, 5 GR., HIGH STRENGTH BOND PASTA FISSAGGIO VITI, FORTE	N BED AS REQ A RICH
27	899 785	SCHRAUBENSICHERUNG NIEDRIGFEST LOCTITE 221 VIOLET 10 CC., LOCTITE 221 VIOLETT, 10 CC.,..... LOCTITE 221 VIOLETT, 10 CCM., LOW STRENGTH BOND PASTA FISSAGGIO VITI, DEBOLE	N BED AS REQ A RICH





ZYLINDER, AUSPUFFSCHIEBER, ZYLINDERKOPFDECKEL
 THERMOSTAT, ANSAUGSTUTZEN
 CYLINDER, EXHAUST VALVE, CYLINDER HEAD COVER
 THERMOSTAT, INTAKE SOCKET
 CILINDRO, VALVOLA SCARICO, COPERCHIO TESTA CILINDRO
 TERMOSTATO, FLANGIA CARBURATORE

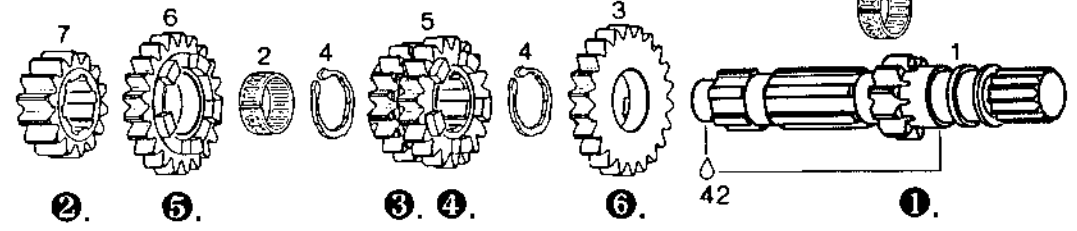
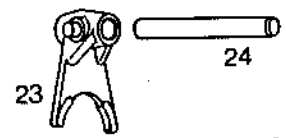
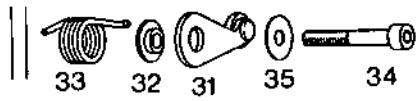
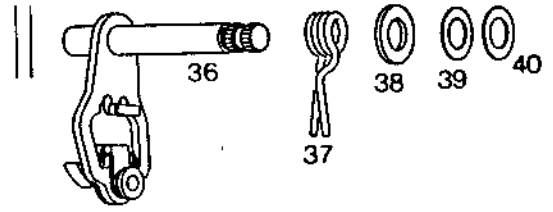
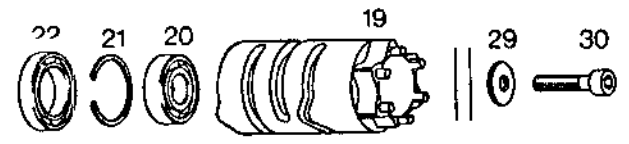
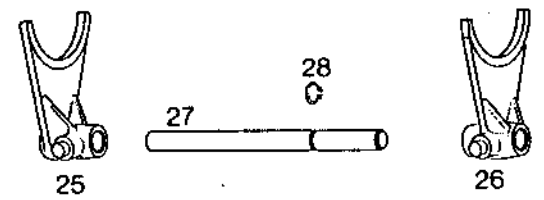
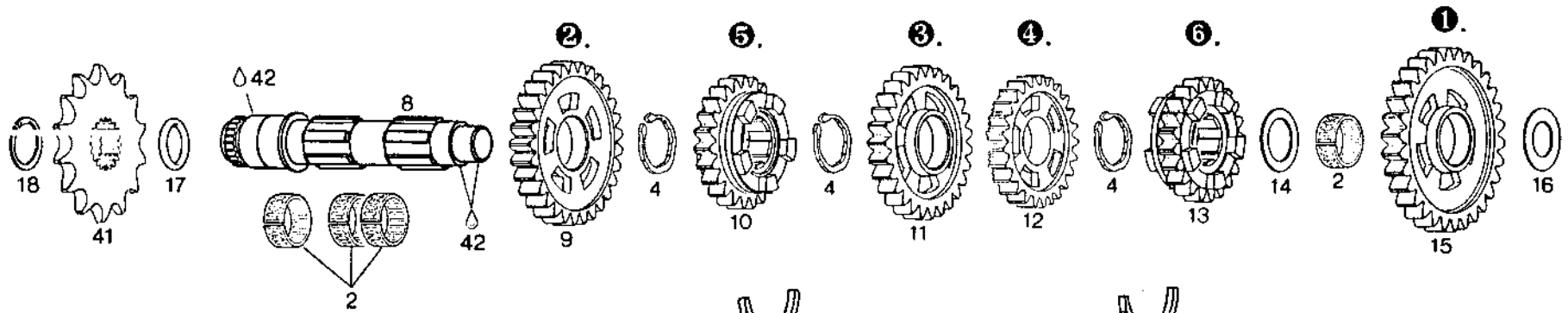
BILD-NR. ILL. NO. FIG.	TEILE-NR. PART NO. CODICE	B E Z E I C H N U N G D E S C R I P T I O N D E S C R I Z I O N E	STUECK QTY. QTA.
1	650 095	DICHTUNG 0,3 GASKET 0,3 GUARNIZIONE 0,3.....	N BED AS REQ A RICH
1	650 096	DICHTUNG 0,5 GASKET 0,5 GUARNIZIONE 0,5.....	N BED AS REQ A RICH
1	650 097	DICHTUNG 0,8 GASKET 0,8 GUARNIZIONE 0,8.....	N BED AS REQ A RICH
2	223 618	ZYLINDER / CYLINDER / CILINDRO..... HELLGRAU, FUER TYPE STRADA "A"54,00-54,01/"AB"54,01-54,015/"B"54,015-54,025M LIGHT-GRAY, FOR TYPE STRADA "A"54,00-54,01/"AB"54,01-54,015/"B"54,015-54,025M GRIGIO CHIARO, PER STRADA "A"54,00-54,01/"AB"54,01-54,015/"B"54,015-54,025M	1
2	223 990	ZYLINDER / CYLINDER / CILINDRO..... FUER TYPE 123 CUSTOM "A"54,00-54,01/"AB"54,01-54,015/"B"54,015-54,025M FOR TYPE 123 CUSTOM "A"54,00-54,01/"AB"54,01-54,015/"B"54,015-54,025M PER TIPO 123 CUSTOM "A"54,00-54,01/"AB"54,01-54,015/"B"54,015-54,025M	1
3	253 722	AUSLASSSCHIEBER / EXHAUST VALVE GHIGLIOTTINA.....	1
4	253 465	SCHIEBERSTANGENFUEHRUNG VALVE ROD HOUSING / CORPO GUIDAVALVOLA...	1
5	230 880	O-RING DIN 3771-13,3X2,4-N O-RING 13,3-2,4 / ANELLO OR 13,3-2,4..... NUR FUER ZYLINDER 223 618 ONLY FOR CYLINDER 223 618 SOLO PER CILINDRO 223 618	1
6	260 120	GUMMSCHEIBE 14/19/1,5 RUBBER WASHER 14/19/1,5 RONDELLA GOMMINO 14/19/1,5..... NUR FUER ZYLINDER 223 990 FORESEEN FOR CYLINDER 223 990 SOLO PER CILINDRO 223 990	1

BILD-NR. ILL. NO. FIG.	TEILE-NR. PART NO. CODICE	B E Z E I C H N U N G D E S C R I P T I O N D E S C R I Z I O N E	STUECK QTY. QTA.
7	831 500	O-RING DIN 3771-14X3-N / O-RING 14-3 ANELLO OR 14-3..... NUR FUER ZYLINDER 223 990 FORESEEN FOR CYLINDER 223 990 SOLO PER CILINDRO 223 990	1
8	230 310	VENTILSCHAFSTDICHTUNG / VALVE STEM SEAL PARAOLIO GUIDAVALVOLA.....	1
9	250 975	DICHTUNG 0,8 / GASKET 0,8 GUARNIZIONE 0,8.....	1
10	239 052	DRUCKFEDER DM15,7 D1,4 L30,4 COMPRESSION SPRING MOLLA DM15,7 D1,4 L30,4.....	1
11	(297 745) 2114175	RAVESEILZUG KPL. SCHWARZ EXHAUST VALVE BOWDEN CABLE CAVO BOWDEN RAVE ELETTRONICO.....	1
12	860 460	REGENSCHUTZKAPPE / PROTECTION CAP CAPPUCCIO GOMMA.....	1
13	845 020	FEDERSCHEIBE B6 DIN 137 SPRING WASHER B6 / RONDELLA ELASTICA B6..	2
14	241 930	ZYL.SCHRAUBE M6X20 DIN 912 ALLEN SCREW M6X20 / BRUGOLA M6X20.....	2
15	250 311	SCHEIBE 8,4 DIN 125 / WASHER 8,4 RONDELLA 8,4.....	4
16	942 671	SK-MUTTER M3 SW 11 / HEX. NUT M3 DADO ESAGONALE M3..... ANZUGSDREHMOMENT 30 NM TIGHTENING TORQUE 30 NM COPPIA DI SERRAGGIO 30 NM	4
17	250 160	O-RING DIN 3771-64X2-N / O-RING 64X2 ANELLO OR 64X2.....	1
18	223 389	BRENNRAUMEINSATZ COMBUSTION CHAMBER INSERT INSERTO CAMERA COMBUSTIONE.....	1
19	945 752	FEDERRING DIN 128-A8-FST / LOCK WASHER A8 RONDELLA SPACCATA A8.....	5
20	940 491	SK-SCHRAUBE M8X30 DIN 933 HEX. SCREW M8X30 DIN 933 VITE TONDA M8X30 DIN 933..... AUSZUGSDREHMOMENT 30 NM TIGHTENING TORQUE 30 NM COPPIA DI SERRAGGIO 30 NM	5

BILD-NR. ILL. NO. FIG.	TEILE-NR. PART NO. CODICE	B E Z E I C H N U N G D E S C R I P T I O N D E S C R I Z I O N E	STUECK QTY. QTA.
21	430 782	O-RING DIN 3771-23,3X2,4-N O-RING 23,3X2,4 / ANELLO OR 23,3X2,4.....	1
22	223 398	ZYLINDERKOPFDECKEL / CYLINDER HEAD COVER COPERCHIO TESTA CILINDRO..... HELLGRAU LIGHT-GRAY GRIGIO CHIARO	1
23	222 122	THERMOSTAT 70 GRAD / THERMOSTAT 70 DEGR., TERMOSTATO 70 GRADI.....	1
	8124359	TERNOSTATO X MOTORE CUSTOM	
24	222 175	VENTILTELLER / THERMOSTAT HOLDER PORTATERMOSTATO.....	1
25	239 950	DRUCKFEDER / COMPRESSION SPRING / MOLLA..	1
26	222 202	THERMOSTATBUEGEL THERMOSTAT RETAINING BRACKET BRIDA TERMOSTATO.....	1
27	240 195	TAPTITE-SCHRAUBE M4X8 TAPTITE-SCREW M4X8 / VITE TAPTITE M4X8...	2
28	250 280	O-RING DIN 3771-105X2,5-N O-RING 105X2,5 / ANELLO OR 105X2,5.....	1
29	241 930	ZYL.SCHRAUBE M6X20 DIN 912 ALLEN SCREW M6X20 / BRUGOLA M6X20.....	4
30	250 521	DICHTUNG / GASKET / GUARNIZIONE.....	1
31 - 36	224 387	VENTILTRAEGER KPL. / REED VALVE ASSY., VALVOLA A LAMELLE CPL.,.....	1
32	 VENTILTRAEGER NICHT ALS ERSATZTEIL LIEFERBAR VERWENDE VENTILTRAEGER KPL. 224 387 REED VALVE, NOT AVAILABLE AS SPARE PART USE REED VALVE ASSY. 224 387 PORTAVALVOLA, NON DISPONIBILE COME RICAMBIO ORDINARE PORTAVALVOLA CPL. 224 387	1
33	224 430	BLATTVENTIL / REED PETAL VALVOLA A LAMELLE.....	2



BILD-NR. ILL. NO. FIG.	TEILE-NR. PART NO. CODICE	B E Z E I C H N U N G D E S C R I P T I O N D E S C R I Z I O N E	STUECK QTY. QTA.
34	 2 VENTILANSCHLAG, NICHT ALS ERSATZTEIL LIEFERBAR VERWENDE VENTILTRAEGER KPL. 224 387 REED PETAL STOP, NOT AVAILABLE AS SPARE PART USE REED VALVE ASSY. 224 387 ARRESTO VALVOLA, NON DISPONIBILE COME RICAMBIO ORDINARE PORTAVALVOLA CPL. 224 387	
35	945 758	FEDERRING DIN 128-A4-FST / LOCK WASHER A4 RONDELLA SPACCATA A4.....	6
36	940 235	ZYL.SCHRAUBE M4X8 DIN 84 ALLEN SCREW M4X8 / VITE TONDA M4X8.....	6
37	267 919	VERGASERSTUTZEN 17 MM CARBURETOR FLANGE 17 MM FLANGIA CARBURATORE 17 MM..... FUER MOTORTYPE 122 C U S T O M FOR ENGINE TYPE 122 C U S T O M PER MOTORE TIPO 122 C U S T O M	1
37	267 915	VERGASERSTUTZEN 42,5 MM CARBURETOR FLANGE 42,5 MM FLANGIA CARBURATORE 42,5 MM..... FUER 122 STRADA FOR 122 STRADA PER 122 STRADA	1
38	540 361	ZYL.SCHRAUBE M6X25 DIN 912 ALLEN SCREW M6X25 / BRUGOLA M6X25.....	5
39	251 850	SCHLAUCHSCHELLE 51 / HOSE CLAMP 51 FASCETTA 51.....	1
40	250 271	DICHTUNG / GASKET / GUARNIZIONE.....	1
41	273 970	AUSPUFFSTUTZEN KPL. EXHAUST SOCKET ASS'Y FLANGIA SCARICO CPL.....	1
42	240 071	ZYL.SCHRAUBE M8X20 DIN 912 ALLEN SCREW M8X20 / BRUGOLA M8X20..... ANZUGSDREHMOMENT 20 NM TIGHTENING TORQUE 20 NM COPPIA DI SERRAGGIO 20 NM	2
43	297 431	LOCTITE-ANTI-SEIZE 76710 LOCTITE ANTI-SEIZE 76710 10 GR., LOCTITE ANTI-SEIZE 76710 10 GR.,..... ZUR VERHINDERUNG VON PASSUNGSROST, 10 GR., TO PREVENT METAL GALLING PER EVITARE CORROSIONE	N BED AS REQ A RICH



6-GANG GETRIEBE
6-SPEED TRANSMISSION
TRASMISSIONE A 6 MARCE

FUER MOTOR TYPE 122 S T R A D A
FOR ENGINE TYPE 122 S T R A D A
PER MOTORE TIPO 122 S T R A D A

BILD-NR. ILL. NO. FIG.	TEILE-NR. PART NO. CODICE	B E Z E I C H N U N G D E S C R I P T I O N D E S C R I Z I O N E	STUECK QTY. QTA.
1 - 18	281 210	GETRIEBESATZ 6-GANG 2,87 TRANSMISSION SET, 6-SPEED 2,87 CAMBIO CPL., 6 MARCE, 2,87.....	1
1	220 300	VORGELEGEWELLE 10 Z / CLUTCH SHAFT 10 T ALBERO PRIMARIO 10 D.,..... 1. GANG 1ST SPEED 1A VELOCITA	1
2	232 742	NADELKAEFIG K 21X25X10 TNK NEEDLE BEARING 21X25X10 GABBIA A RULLI 21X25X10.....	6
3	634 125	LOS RAD 22 Z / FREE PINION 22 T., INGRANAGGIO 22 D.,..... 6. GANG, VORGELEGEWELLE 6TH SPEED, CLUTCH SHAFT 6A VELOCITA, ALBERO PRIMARIO	1
4	245 730	SICHERUNGSRING 25X2 / CIRCLIP 25X2 SEEGER 25X2.....	5
5	634 095	SCHALTRAD 17/19 Z / GEAR PINION 17/19 T., INGRANAGGIO 17/19 D.,..... 3./4. GANG, VORGELEGEWELLE 3RD / 4TH SPEED, CLUTCH SHAFT 3A/4A VELOCITA, ALBERO PRIMARIO	1
6	634 105	LOS RAD 21 Z / FREE PINION 21 T., INGRANAGGIO 21 D.,..... 5. GANG, VORGELEGEWELLE 5TH SPEED, CLUTCH SHAFT 5A VELOCITA, ALBERO PRIMARIO	1
7	634 085	FESTRAD 14 Z / FIXED GEAR 14 T., INGRANAGGIO 14 D.,..... 2. GANG, VORGELEGEWELLE 2ND SPEED, CLUTCH SHAFT 2A VELOCITA, ALBERO PRIMARIO	1
8	220 280	HAUPTWELLE / MAINSHAFT ALBERO SECONDARIO.....	1

BILD-NR. ILL. NO. FIG.	TEILE-NR. PART NO. CODICE	B E Z E I C H N U N G D E S C R I P T I O N D E S C R I Z I O N E	STUECK QTY. QTA.
9	234 968	LOS RAD 29 Z / FREE PINION 29 T., INGRANAGGIO 29 D.,..... 2. GANG, HAUPTWELLE 2ND SPEED, MAIN SHAFT 2A VELOCITA, ALBERO SECONDARIO	1
10	634 115	SCHALTRAD 24 Z / GEAR PINION 24 T., INGRANAGGIO 24 D.,..... 5. GANG, HAUPTWELLE 5TH SPEED, MAINSHAFT 5A VELOCITA, ALBERO SECONDARIO	1
11	234 984	LOS RAD 27 Z / FREE PINION 27 T., INGRANAGGIO 27 D.,..... 3. GANG, HAUPTWELLE 3RD SPEED, MAINSHAFT 3A VELOCITA, ALBERO SECONDARIO	1
12	234 858	LOS RAD 25 Z / FREE PINION 25 T., INGRANAGGIO 25 D.,..... 4. GANG, HAUPTWELLE 4TH SPEED, MAINSHAFT 4A VELOCITA, ALBERO SECONDARIO	1
13	634 135	SCHALTRAD 23 Z / GEAR PINION 23 T., INGRANAGGIO 23 D.,..... 6. GANG, HAUPTWELLE 6TH SPEED, MAINSHAFT 6A VELOCITA, ALBERO SECONDARIO	1
14	244 100	ANLAUFSCHIEBE 21,2/30/1 THRUST WASHER 21,2/30/1 RASAMENTO 21,2/30/1.....	1
15	634 065	LOS RAD 30 Z / FREE PINION 30 T., INGRANAGGIO 30 D.,..... 1. GANG, HAUPTWELLE 1ST SPEED, MAIN SHAFT 1A VELOCITA, ALBERO SECONDARIO	1
16	227 430	ANLAUFSCHIEBE 17,2/30/1 THRUST WASHER 17,2/30/1 RASAMENTO 17,2/30/1.....	1
17	430 460	O-RING DIN 3771-18X3,5-N / O-RING 18X3,5 ANELLO OR 18X3,5.....	1
18	245 650	SEEGER-V-RING AV 20 RETAINING RING AV 20 / SEEGER AV 20.....	1
19 - 21	258 305	SCHALTWALZE KPL. / SHIFT DRUM ASSY., DESMODROMICO CPL.,.....	1

BILD-NR. ILL. NO. FIG.	TEILE-NR. PART NO. CODICE	B E Z E I C H N U N G D E S C R I P T I O N D E S C R I Z I O N E	STUECK QTY. QTA.
20	232 402	RK-LAGER 6001 BALL BEARING 6001, 12-28-8 CUSCINETTO 6001, 12-28-8.....	1
21	245 790	SEEGER-SPRENGRING SB 28 RETAINING RING SB 28 / SEEGER.....	1
22	632 060	RK-LAGER 61804 / BALL BEARING 61804 CUSCINETTO SFERE 61804.....	1
23	258 135	SCHALTGABEL / GEARSHIFT FORK FORCHETTA CAMBIO..... 5./6. GANG 5TH/6TH SPEED 5A/6A VELOCITA	1
24	229 390	ZYLINDERSTIFT 8 KLEIN M6X70 PIN 8 SMALL M6X70 / GRAND 8 PICCOLO M6X70	1
25	258 123	SCHALTGABEL / GEARSHIFT FORK FORCHETTA CAMBIO..... 2./3. GANG 2ND/3RD SPEED 2A/3A VELOCITA	1
26	258 113	SCHALTGABEL / GEARSHIFT FORK FORCHETTA CAMBIO..... 1./4. GANG 1ST/4TH SPEED 1A/4A VELOCITA	1
27	258 200	SCHALTSTANGE / FORK SPINDLE ALBERINO FORCHETTA.....	1
28	245 570	SICHERUNGSRING 8X0,8 DIN 471 RETAINING RING 8X0,8 / SEEGER 8X0,8.....	1
29	827 305	SCHEIBE 6,2/18/2 / WASHER 6,2/18/2 RONDELLA 6,2/18/2.....	1
30	840 880	ZYL.SCHPAUBE M6X30 DIN 912 ALLEN SCREW M6X30 / BRUGOLA M6X30.....	1
31	248 325	INDEXHEBEL KPL. / INDEX LEVER ASSY. LEVA INDEX CPL.....	1
32	227 710	STUFENRING / STEP RING BOCCOLA A GRADINO.....	1
33	239 241	INDEXFEDER / INDEX SPRING / MOLLA INDEX..	1



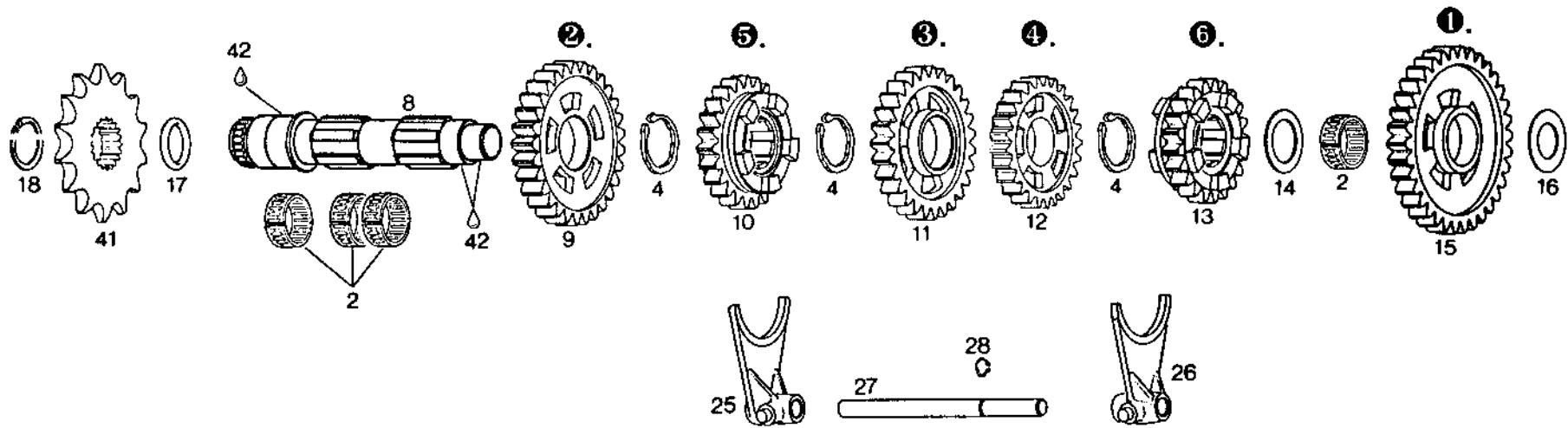
CENTRO RICAMBI ^{SRL}

via CIMABUE, 24/A - 50121 FIRENZE (ITALY)

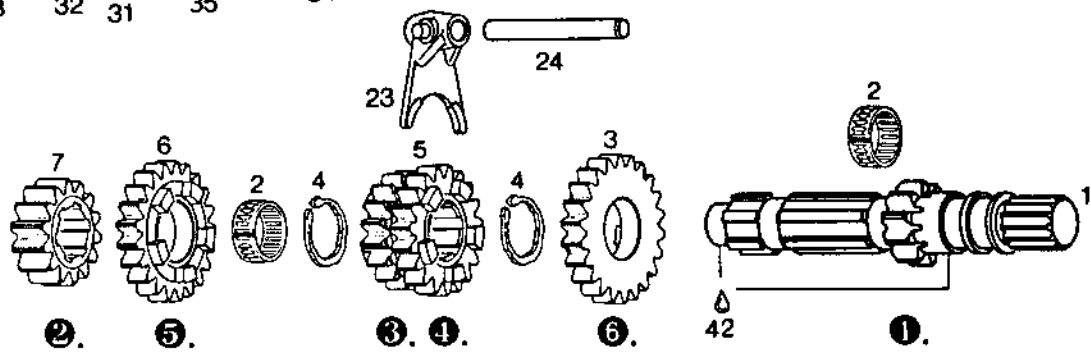
TEL. (+39) 055-66 64 23 - FAX (+39) 055-67 00 84

e-mail: cr1f.renze@tiscali.it

BILD-NR. ILL. NO. FIG.	TEILE-NR. PART NO. CODICE	B E Z E I C H N U N G D E S C R I P T I O N D E S C R I Z I O N E	STUECK QTY. QTA.
34	241 821	ZYL.SCHRAUBE M6X45 DIN 912 ALLEN SCREW M6X45 / BRUGOLA M6X45..... GEHAEUSEVERSCHRAUBUNG FOR CRANKCASE JOINING PER AVVITAMENTO CARTER	1
35	827 307	SCHEIBE 6,2/18/0,5 / WASHER 6,2/18/0,5 RONDELLA 6,2/18/0,5.....	1
36	220 295	SCHALTWELLE MIT KLINKE KPL. GEARSHIFT SHAFT WITH PAWL ASSY., ALBERO SELETTORE CON ARPIONISMO.....	1
37	239 252	HAARNADELFEDER / SPRING / MOLLA.....	1
38	427 690	SCHEIBE A13 DIN 125 / WASHER A13 RONDELLA A13.....	1
39	827 261	ANLAUFSCHLEIBE 12,5/21,5/1 THRUST WASHER 12,5/21,5/1 RASAMENTO 12,5/21,5/1.....	N BED AS REQ A RICH
40	227 450	ANLAUFSCHLEIBE 12,5/21,5/0,5 THRUST WASHER 12,5/21,5/0,5 RASAMENTO 12,5/21,5/0,5.....	N BED AS REQ A RICH
41	236 064	KETTENRAD 17 Z / SPROCKET 17 T PIGNONE 17 D..... SERIENMAESSIG MONTIERT FITTED STANDARD MONTATO STANDARD	1
41	236 061	KETTENRAD 14 Z SPROCKET 14 T., 5/8X1/4X10,16 PIGNONE 14 D., 5/8X1/4X10,16..... SERIENMAESSIG MONTIERT FITTED STANDARD MONTATO STANDARD	1
41	236 062	KETTENRAD 15 Z SPROCKET 15 T., 5/8X1/4X10,16 PIGNONE 15 D., 5/8X1/4X10,16.....	1
41	236 063	KETTENRAD 16 Z SPROCKET 16 T., 5/8X1/4X10,16 PIGNONE 16 D., 5/8X1/4X10,16.....	1
42	297 431	LOCTITE-ANTI-SEIZE 76710 LOCTITE ANTI-SEIZE 76710 10 GR., LOCTITE ANTI-SEIZE 76710 10 GR.,..... ZUR VERHINDERUNG VON PASSUNGSROST, 10 GR., TO PREVENT METAL GALLING PER EVITARE CORROSIONE	N BED AS REQ A RICH



ESPLOSO
CAMBIO
CUSTOM



6-GANG GETRIEBE
6-SPEED TRANSMISSION
TRASMISSIONE A 6 MARCE

FUER MOTOR TYPE 122 C U S T O M
FOR ENGINE TYPE 122 C U S T O M
PER MOTORE TIPO 122 C U S T O M

BILD-NR. ILL. NO. FIG.	TEILE-NR. PART NO. CODICE	B E Z E I C H N U N G D E S C R I P T I O N D E S C R I Z I O N E	STUECK QTY. QTA.
1 - 18	281 211	GETRIEBESATZ 6-GANG 3,14 TRANSMISSION SET, 6-SPEED 3,14 CAMBIO CPL., 6 MARCE, 3,14.....	1
1	220 300	VORGELEGEWELLE 10 Z / CLUTCH SHAFT 10 T ALBERO PRIMARIO 10 D.,..... 1. GANG 1ST SPEED 1A VELOCITA	1
2	232 742	NADELKAEFIG K 21X25X10 TNK NEEDLE BEARING 21X25X10 GABBIA A RULLI 21X25X10.....	6
3	634 120	LOS RAD 22 Z / FREE PINION 22 T., INGRANAGGIO 22 D.,..... 6. GANG, VORGELEGEWELLE 6TH SPEED, CLUTCH SHAFT 6A VELOCITA, ALBERO PRIMARIO	1
4	245 730	SICHERUNGSRING 25X2 / CIRCLIP 25X2 SEEGER 25X2.....	5
5	634 095	SCHALTRAD 17/19 Z / GEAR PINION 17/19 T., INGRANAGGIO 17/19 D.,..... 3./4. GANG, VORGELEGEWELLE 3RD / 4TH SPEED, CLUTCH SHAFT 3A/4A VELOCITA, ALBERO PRIMARIO	1
6	634 100	LOS RAD 21 Z / FREE PINION 21 T., INGRANAGGIO 21 D.,..... 5. GANG, VORGELEGEWELLE 5TH SPEED, CLUTCH SHAFT 5A VELOCITA, ALBERO PRIMARIO	1
7	634 085	FESTRAD 14 Z / FIXED GEAR 14 T., INGRANAGGIO 14 D.,..... 2. GANG, VORGELEGEWELLE 2ND SPEED, CLUTCH SHAFT 2A VELOCITA, ALBERO PRIMARIO	1
8	220 280	HAUPTWELLE / MAINSHAFT ALBERO SECONDARIO.....	1

BILD-NR. ILL. NO. FIG.	TEILE-NR. PART NO. CODICE	B E Z E I C H N U N G D E S C R I P T I O N D E S C R I Z I O N E	STUECK QTY. QTA.
9	234 968	LOS RAD 29 Z / FREE PINION 29 T., INGRANAGGIO 29 D.,..... 2. GANG, HAUPTWELLE 2ND SPEED, MAIN SHAFT 2A VELOCITA, ALBERO SECONDARIO	1
10	634 110	SCHALTRAD 23 Z / GEAR PINION 23 T., INGRANAGGIO 23 D.,..... 5. GANG, HAUPTWELLE 5TH SPEED, MAINSHAFT 5A VELOCITA, ALBERO SECONDARIO	1
11	234 984	LOS RAD 27 Z / FREE PINION 27 T., INGRANAGGIO 27 D.,..... 3. GANG, HAUPTWELLE 3RD SPEED, MAINSHAFT 3A VELOCITA, ALBERO SECONDARIO	1
12	234 858	LOS RAD 25 Z / FREE PINION 25 T., INGRANAGGIO 25 D.,..... 4. GANG, HAUPTWELLE 4TH SPEED, MAINSHAFT 4A VELOCITA, ALBERO SECONDARIO	1
13	634 130	SCHALTRAD 21 Z / GEAR PINION 21 T., INGRANAGGIO 21 D.,..... 6. GANG, HAUPTWELLE 6TH SPEED, MAINSHAFT 6A VELOCITA, ALBERO SECONDARIO	1
14	244 100	ANLAUFSCHLEIBE 21,2/30/1 THRUST WASHER 21,2/30/1 RASAMENTO 21,2/30/1.....	1
15	634 065	LOS RAD 30 Z / FREE PINION 30 T., INGRANAGGIO 30 D.,..... 1. GANG, HAUPTWELLE 1ST SPEED, MAIN SHAFT 1A VELOCITA, ALBERO SECONDARIO	1
16	227 430	ANLAUFSCHLEIBE 17,2/30/1 THRUST WASHER 17,2/30/1 RASAMENTO 17,2/30/1.....	1
17	430 460	O-RING DIN 3771-18X3,5-N / O-RING 18X3,5 ANELLO OR 18X3,5.....	1
18	245 650	SEEGER-V-RING AV 20 RETAINING RING AV 20 / SEEGER AV 20.....	1
19 - 21	258 307	SCHALTWALZE KPL. / SHIFT DRUM ASS., DESMODROMIC CPL.....	1

BILD-NR. ILL. NO. FIG.	TEILE-NR. PART NO. CODICE	B E Z E I C H N U N G D E S C R I P T I O N D E S C R I Z I O N E	STUECK QTY. QTA.
20	232 402	RK-LAGER 6001 BALL BEARING 6001, 12-28-8 CUSCINETTO 6001, 12-28-8.....	1
21	245 790	SEEGER-SPRENGRING SB 28 RETAINING RING SB 28 / SEEGER.....	1
22	632 060	RK-LAGER 61804 / BALL BEARING 61804 CUSCINETTO SFERE 61804.....	1
23	258 135	SCHALTGABEL / GEARSHIFT FORK FORCHETTA CAMBIO..... 5./6. GANG 5TH/6TH SPEED 5A/6A VELOCITA	1
24	229 390	ZYLINDERSTIFT 8 KLEIN M6X70 PIN 8 SMALL M6X70 / GRAND 8 PICCOLO M6X70	1
25	258 123	SCHALTGABEL / GEARSHIFT FORK FORCHETTA CAMBIO..... 2./3. GANG 2ND/3RD SPEED 2A/3A VELOCITA	1
26	253 113	SCHALTGABEL / GEARSHIFT FORK FORCHETTA CAMBIO..... 1./4. GANG 1ST/4TH SPEED 1A/4A VELOCITA	1
27	258 200	SCHALTSTANGE / FORK SPINDLE ALBERINO FORCHETTA.....	1
28	245 570	SICHERUNGSRING 8X0,8 DIN 471 RETAINING RING 8X0,8 / SEEGER 8X0,8.....	1
29	827 305	SCHEIBE 6,2/18/2 / WASHER 6,2/18/2 RONDELLA 6,2/18/2.....	1
30	840 880	ZYL.SCHRAUBE M6X30 DIN 912 ALLEN SCREW M6X30 / BRUGOLA M6X30.....	1
31	248 325	INDEXHEBEL KPL. / INDEX LEVER ASSY. LEVA INDEX CPL.....	1
32	227 710	STUFENRING / STEP RING BOCCOLA A GRADINO.....	1
33	239 241	INDEXFEDER / INDEX SPRING / MOLLA INDEX..	1



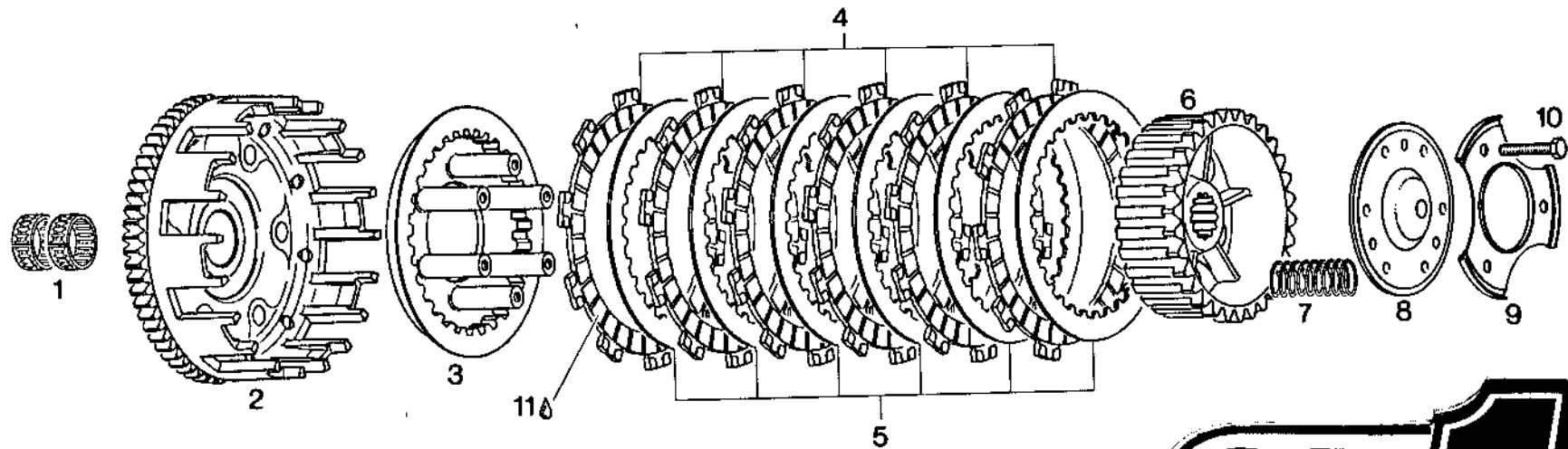
CENTRO RICAMBI SRL

via CIMABUE, 24/A - 50121 FIRENZE (ITALY)

TEL. (+39) 055 66 64 23 - FAX (+39) 055-67 00 34

e-mail: cr1firenze@tiscali.it

BILD-NR. ILL. NO. FIG.	TEILE-NR. PART NO. CODICE	B E Z E I C H N U N G D E S C R I P T I O N D E S C R I Z I O N E	STUECK QTY. QTA.
34	241 821	ZYL.SCHRAUBE M6X45 DIN 912 ALLEN SCREW M6X45 / BRUGOLA M6X45..... GEHAEUSEVERSCHRAUBUNG FOR CRANKCASE JOINING PER AVVITAMENTO CARTER	1
35	827 307	SCHEIBE 6,2/18/0,5 / WASHER 6,2/18/0,5 RONDELLA 6,2/18/0,5.....	1
36	220 295	SCHALTWELLE MIT KLINKE KPL. GEARSHIFT SHAFT WITH PAWL ASSY., ALBERO SELETTORE CON ARPIONISMO.....	1
37	239 252	HAARNADELFEDER / SPRING / MOLLA.....	1
38	427 690	SCHEIBE A13 DIN 125 / WASHER A13 RONDELLA A13.....	1
39	927 261	ANLAUFSCHIEBE 12,5/21,5/1 THRUST WASHER 12,5/21,5/1 RASAMENTO 12,5/21,5/1.....	N BED AS REQ A RICH
40	227 450	ANLAUFSCHIEBE 12,5/21,5/0,5 THRUST WASHER 12,5/21,5/0,5 RASAMENTO 12,5/21,5/0,5.....	N BED AS REQ A RICH
41	236 361	KETTENRAD 14 Z SPROCKET 14 T., 5/8X1/4X10,16 PIGNONE 14 D., 5/8X1/4X10,16..... SERIENMAESSIG MONTIERT FITTED STANDARD MONTATO STANDARD	1
41	236 362	KETTENRAD 15 Z SPROCKET 15 T., 5/8X1/4X10,16 PIGNONE 15 D., 5/8X1/4X10,16..... SERIENMAESSIG BEI CUSTOM-FRANKREICH/SCHWEIZ BRD MONTIERT FITTED STANDARD ON CUSTOM-FRANCE/SWITZERLAND GERMANY MONTATO STANDARD SU CUSTOM-FRANCIA/SVIZZERA/ GERMANIA	1
41	236 063	KETTENRAD 16 Z SPROCKET 16 T., 5/8X1/4X10,16 PIGNONE 16 D., 5/8X1/4X10,16.....	1
41	236 064	KETTENRAD 17 Z / SPROCKET 17 T PIGNONE 17 D.....	1
42	297 431	LOCTITE-ANTI-SEIZE 76710 LOCTITE ANTI-SEIZE 76710 10 GR., LOCTITE ANTI-SEIZE 76710 10 GR.,.....	1



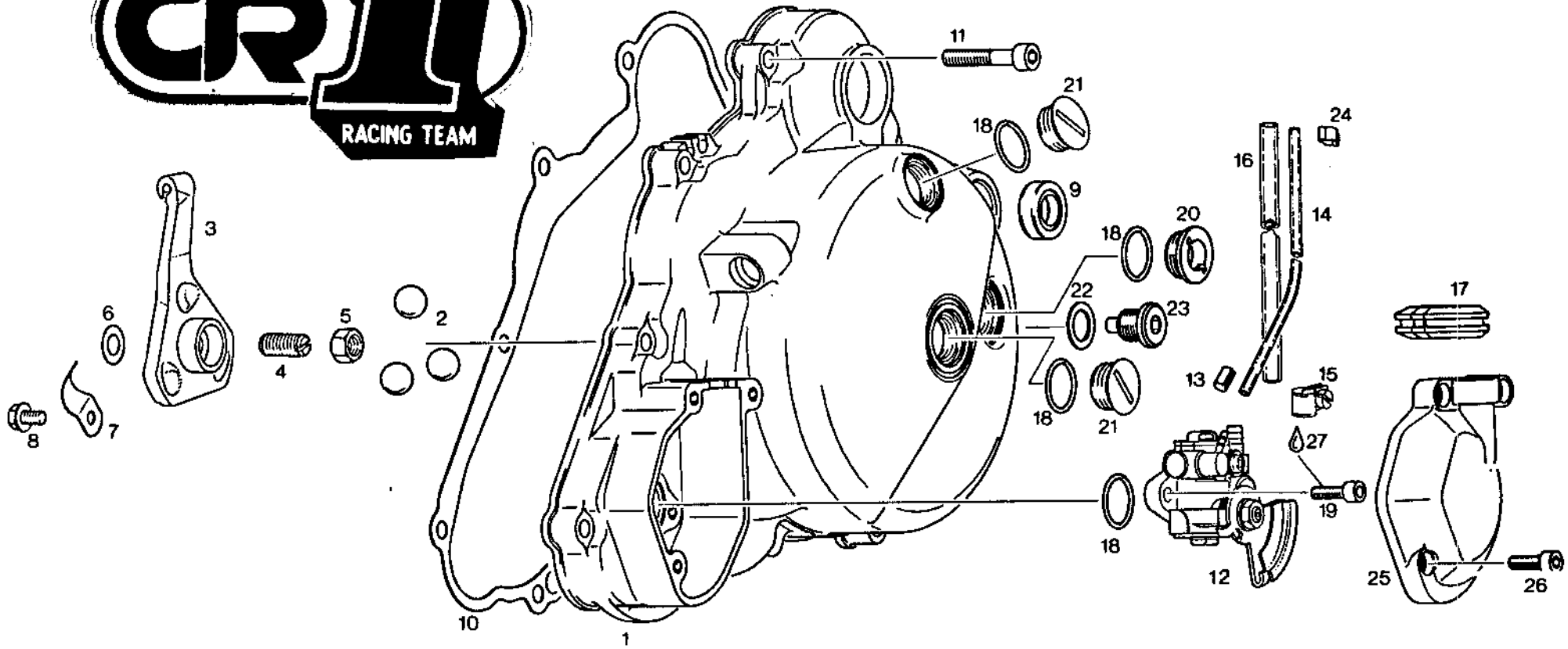
CR1
RACING TEAM

KUPPLUNG
CLUTCH
FRIZIONE

BILD-NR. ILL. NO. FIG.	TEILE-NR. PART NO. CODICE	B E Z E I C H N U N G D E S C R I P T I O N D E S C R I Z I O N E	STUECK QTY. QTA.
1	232 742	NADELKAEFIG K 21X25X10 TNK NEEDLE BEARING 21X25X10 GABBIA A RULLI 21X25X10.....	2
2	295 405	PRIMAERTRIEB KPL. / PRIMARY DRIVE ASSY., TRASMISSIONE PRIMARIA CPL.,..... NUR ANTRIEBSRAD MIT KUPPLUNGSKORB KPL. GEMEINSAM AUSTAUSCHEN REPLACE ONLY DRIVE GEAR WITH CLUTCH DRUM ASSY., CAMBIARE SOLO L'INGRANAGGIO E LA CAMPANA FRIZIONE INSIEME	1
3	259 570	STUETZTELLER / INNER PRESSURE PLATE PIATTO PORTAMOLLE.....	1
4	259 053	BELAGLAMELLE 3,1 MM FRICTION PLATE 3,1 MM DISCO FRIZIONE GUARNITO 3,1 MM.....	6
5	259 557	INNENLAMELLE / CLUTCH PLATE 1 MM DISCO FRIZIONE 1 MM.....	6
6	259 470	MITNEHMER / CLUTCH HUB / MOZZO FRIZIONE..	1
7	239 625	KUPPL.FEDER DM14,6 D2,3 L34,1 CLUTCH SPRING 34,1 MM MOLLA FRIZIONE 34,1 MM..... FEDERN NUR SATZWEISE WECHSELN CHANGE SPRINGS ONLY SETWISE CAMBIARE SOLO TUTTA LA SERIE MOLLE	6
8	259 165	DRUCKPLATTE KPL. / RETAINING PLATE ASSY., PIATTO DI SPINTA CPL.,.....	1
9	259 420	STUETZTELLERFUEHRUNG GUIDE INNER PRESSURE PLATE GUIDA PIATTO PORTAMOLLE.....	1
10	241 770	SK-SCHRAUBE M5X25 DIN 933 HEX. SCREW M5X25 / VITE ESAGONALE M5X25..	6
11		• • MOTOROEL OIL OLIO	N BED AS REQ A RICH

CR1

RACING TEAM

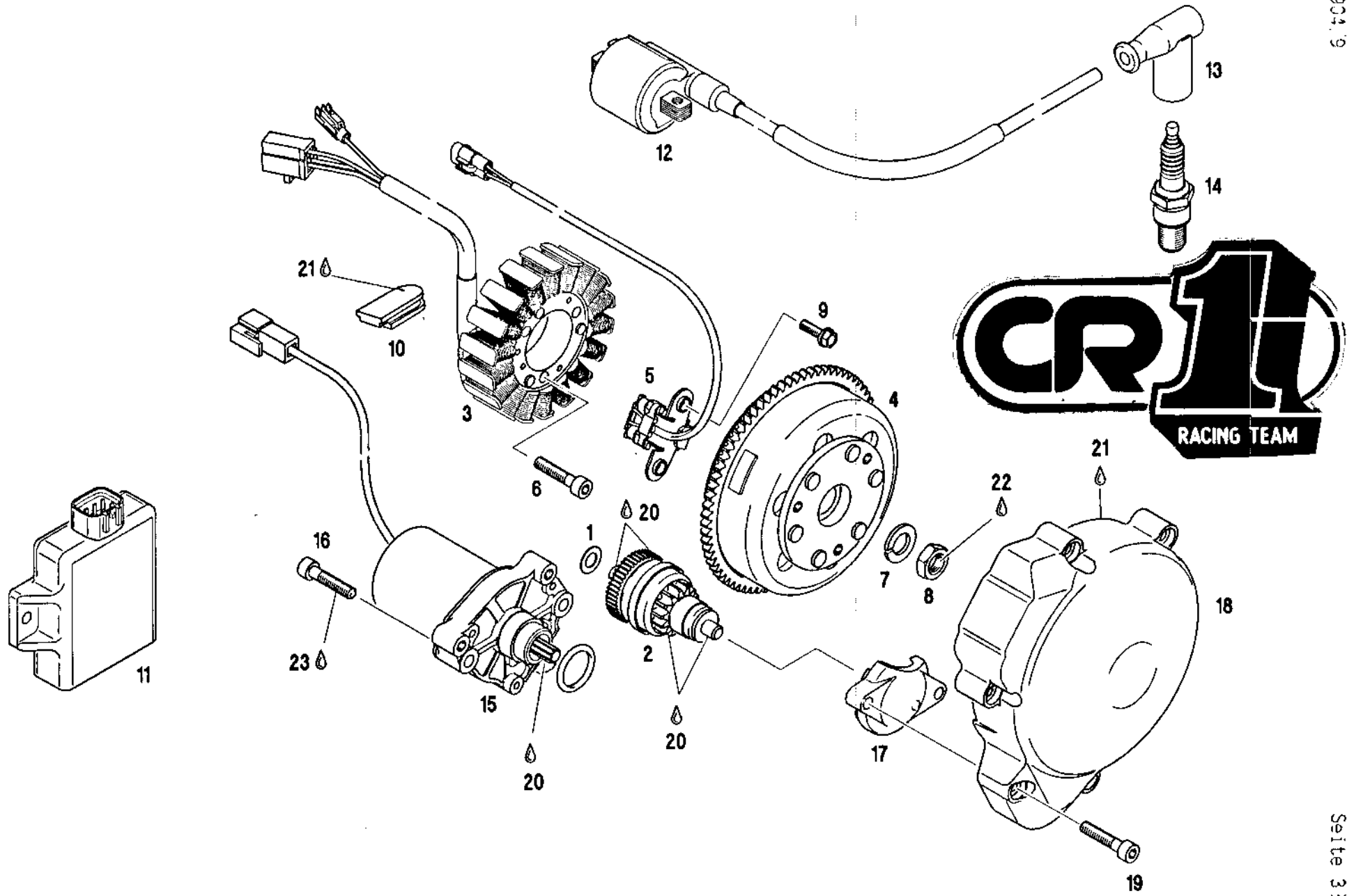


KUPPLUNGSDECKEL, OELPUMPE
CLUTCH COVER, OIL PUMP
COPERCHIO FRIZIONE, POMPA OLIO

BILD-NR. ILL. NO. FIG.	TEILE-NR. PART NO. CODICE	B E Z E I C H N U N G D E S C R I P T I O N D E S C R I Z I O N E	STUECK QTY. QTA.
1	211 400	KUPPLUNGSDECKEL / CLUTCH COVER COPERCHIO FRIZIONE.....	1
2	232 150	KUGEL ISO 3290-12 G 28 / BALL 12 MM SFERA 12 MM.....	3
3	259 325	AUSRUECKTELLER / RELEASE CAM / CHIOCCIOLA	1
4	241 791	GEWINDESTIFT M8X16 ADJUSTMENT SCREW M8X16 / VITE M8X16.....	1
5	942 671	SK-MUTTER M8 SW 11 / HEX. NUT M8 DADO ESAGONALE M8.....	1
6	227 945	ANLAUFSCHLEIBE 8,1/15/0,5 THRUST WASHER 8,1/15/0,5 RASAMENTO 8,1/15/0,5.....	1
7	239 907	BLATTFEDER / LEAF SPRING MOLLA A SALESTRA.....	1
8	841 685	TAPTITE-SCHRAUBE M5X10 TAPTITE-SCREW M5X10 / VITE TAPITE M5X10..	1
9	250 455	WD-RING AS 12X22X7 NBR / OIL SEAL 12X22X7 PARADLIO 12X22X7.....	1
10	250 205	DICHTUNG / GASKET / GUARNIZIONE.....	1
11	840 880	ZYL.SCHRAUBE M6X30 DIN 912 ALLEN SCREW M6X30 / BRUGOLA M6X30.....	9
12 - 14	294 735	OELPUMPE KPL. / OIL PUMP ASSY., POMPA OLIO CPL.....	1
13	256 400	KLEMMHUELSE 4,8 / CLIP / FASCETTA.....	1
14	256 410	OELLEITUNG 350 MM / OIL LINE 350 MM TUBO OLIO 350 MM.....	1
15	951 591	KLEMMSCHELLE 7 / CLAMP 7 / FASCETTA 7....	1
16	256 037	OELLEITUNG 850 MM / OIL LINE 850 MM TUBO 850 MM.....	1
17	260 030	OELLEITUNGSTUELLE / GROMMET GOMMING FILE.....	1

BILD-NR. ILL. NO. FIG.	TEILE-NR. PART NO. CODICE	B E Z E I C H N U N G D E S C R I P T I O N D E S C R I Z I O N E	STUECK QTY. QTA.
18	250 390	O-RING DIN 3771-17X1,5-N O-RING DIN 3771-17X1,5-N ANELLO OR 3771-17X1,5-N.....	4
19	840 510	ZYL.SCHRAUBE M5X16 DIN 912 ALLEN SCREW M5X16 / BRUGOLA M5X16.....	2
20	240 820	OELSTANDSSCHRAUBE M18X1,5 OIL LEVEL SCREW M18X1,5 BRUGOLA LIVELLO OLIO M18X1,5.....	1
21	241 801	VERSCHLUSSSCHRAUBE M18X1,5 PLUG SCREW M18X1,5 TAPPO PLASTICO M18X1,5.....	2
22	250 641	DICHTRING A 12X18 DIN 7603 GASKET RING A 12X18 ANELLO GUARNIZIONE A 12X18.....	1
23	241 782	MAGNETSCHRAUBE M12X1,5 MAGNETIC DRAIN PLUG M12X1,5 VITE MAGNETICA M12X1,5.....	1
24	853 340	2-OHR-KLEMME 3-5 MM / CLAMP 3-5 MM FASCETTA MM 3-5.....	1
25	211 440	OELPUMPENDECKEL / OIL PUMP COVER COPERCHIO POMPA OLIO..... HELLGRAU LIGHT GRAY GRIGIO CHIARO	1
26	840 511	ZYL.SCHRAUBE M5X16 DIN 912 ALLEN SCREW M5X16 / BRUGOLA M5X16.....	3
27	399 785	SCHRAUBENSICHERUNG NIEDRIGFEST LOCTITE 221 VIOLET 10 CC., LOCTITE 221 VIOLETT0, 10 CC.,..... LOCTITE 221 VIOLETT, 10 CCM., LOW STRENGTH BOND PASTA FISSAGGIO VITI, DEBOLE	N BED AS REQ A RICH

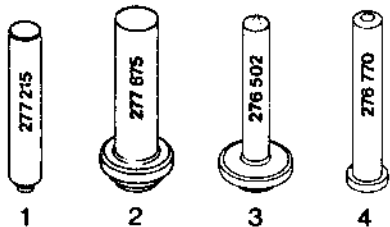




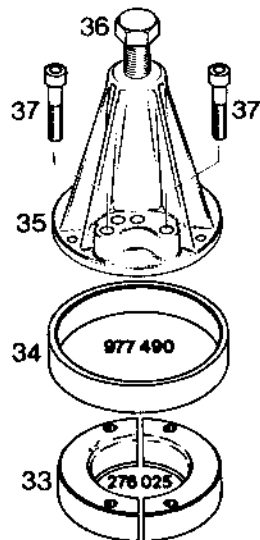
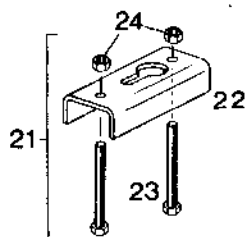
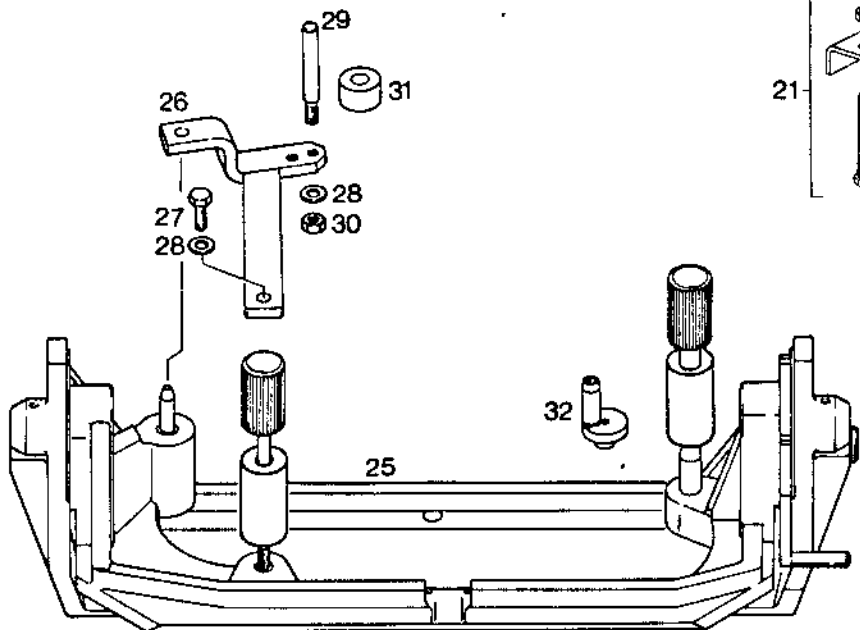
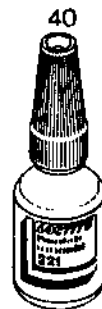
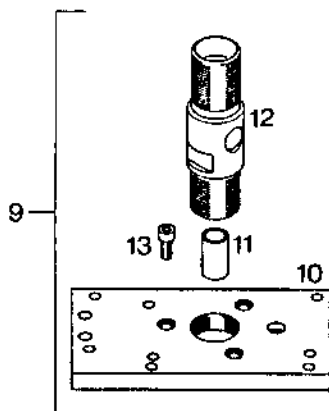
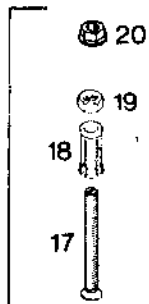
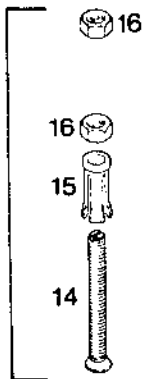
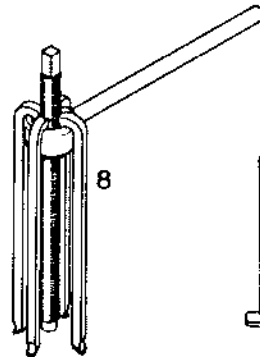
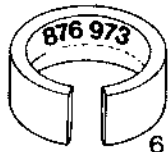
MAGNETZUENDER-GENERATOR, ELEKTROSTARTER,
 ZUENDERDECKEL
 MAGNETO GENERATOR, ELECTRIC STARTER, IGNITION
 COVER
 ACCENSIONE, MOTORINO D'AVVIAMENTO, COPERCHIO
 VOLANO

BILD-NR. ILL. NO. FIG.	TEILE-NR. PART NO. CODICE	B E Z E I C H N U N G D E S C R I P T I O N D E S C R I Z I O N E	STUECK QTY. QTA.
1	227 945	ANLAUFSCHEIBE 8,1/15/0,5 THRUST WASHER 8,1/15/0,5 RASAMENTO 8,1/15/0,5.....	1
2	294 810	STARTERGETRIEBE KPL. STARTER GEAR ASSY., / RINVIO CPL.,.....	1
3 - 5	295 365	MZ-GENERATOR KPL. MAGNETO GENERATOR WG ASSY., ACCENSIONE WG CPL.,.....	1
3	295 670	STATOR KPL. / STATOR ASSY. / STATORE CPL.	1
4	295 677	MAGNETRAD KPL. / MAGNETO FLYWHEEL ASSY., VOLANO MAGNETE CPL.,.....	1
5	265 157	AUSSENGBER / TRIGGER COIL PICK-UP ESTERNO.....	1
6	840 880	ZYL.SCHRAUBE M6X30 DIN 912 ALLEN SCREW M6X30 / BRUGOLA M6X30.....	3
7	945 754	FEDERRING DIN 128-A12-FST LOCK WASHER A12 / RONDELLA SPACCATA A12..	1
8	642 051	SK-MUTTER M12X1 HOEHE 6 SW 17 HEX. NUT M12X1 / DAPO M12X1..... ANZUGSDREHMOMENT 70 NM TIGHTENING TORQUE 70 NM COPPIA DI SERRAGGIO 70 NM	1
9	941 925	TAPTITE-SCHRAUBE M5X16 TAPTITE SCREW M5X16 / VITE TAPTITE M5X16..	2
10	260 840	LEITUNGSTUELLE / GROMMET / GOMMINO FILO..	1
11	265 400	STEUERGERAET DIGITAL ELECTRONIC SOX, DIGITAL CENTRALINA, DIGITALE..... FUER MOTORTYPE 122 STRADA FOR MOTOR TYPE 122 STRADA PER MOTORE TIPO 122 STRADA	1

BILD-NR. ILL. NO. FIG.	TEILE-NR. PART NO. CODICE	B E Z E I C H N U N G D E S C R I P T I O N D E S C R I Z I O N E	STUECK QTY. QTA.
11	265 405	STEUERGERAET ANALOG ELECTRONIC BOX, ANALOGOUS CENTRALINA, ANALOGA.....	1
		FUER MOTORTYPE 122 CUSTOM-ITALIA FOR MOTOR TYPE 122 CUSTOM-ITALIA PER MOTORE TIPO 122 CUSTOM-ITALIA	
11	265 402	STEUERGERAET DIGITAL ELECTRONIC BOX, DIGITAL CENTRALINA, DIGITALE.....	1
		FUER MOTORTYPE 122 CUSTOM-FRANCIA/SVIZZERA/BRD FOR MOTOR TYPE 122 CUSTOM-FRANCIA/SVIZZERA/BRD PER MOTORE TIPO 122 CUSTOM-FRANCIA/SVIZZERA/BRD	
12 - 13	265 415	ZUENDTRANSFORMATOR KPL. IGNITION COIL WG / BOBINA ACCENSIONE WG..	1
13	366 703	WIDERSTANDSSTECKER / SPARK PLUG CONNECTOR CAPPuccio CANDELA..... SCHWARZ BLACK NERO	1
14	297 930	ZUENDKERZE 14 SPARK PLUG 14 NGK BR 10 EG CANDELA 14 NGK BR 10 EG.....	1
15	294 800	SCHRAUBTRIEB-STARTER KPL. ELECTRIC STARTER ASSY., MOTORINO D'AVVIAMENTO.....	1
16	840 830	ZYL.SCHRAUBE M6X30 DIN 912 ALLEN SCREW M6X30 / BRUGOLA M6X30..... ANZUGSDREHMOMENT 10 NM TIGHTENING TORQUE 10 NM COPPIA DI SERRAGGIO 10 NM	2
17	210 345	STARTERGETRIEBEBEDECKEL ELECTRIC STARTER COVER COPERCHIO MOTORINO D'AVVIAMENTO.....	1
18	211 455	ZUENDERDECKEL KPL. / IGNITION COVER COPERCHIO VOLANO..... HELLGRAU LIGHT-GRAY GRIGIO CHIARO	1
19	840 880	ZYL.SCHRAUBE M6X30 DIN 912 ALLEN SCREW M6X30 / BRUGOLA M6X30..... ANZUGSDREHMOMENT 4,5 NM TIGHTENING TORQUE 4,5 NM COPPIA DI SERRAGGIO 4,5 NM	6



CR1



44

ROTAX

Zylinder
Dichtungssatz

Cylinder
Gasket set

Guarnizione
cilindro

45

ROTAX

Motor
Dichtungssatz

Engine
Gasket set

Guarnizione
Motore

BILD-NR. ILL. NO. FIG.	TEILE-NR. PART NO. CODICE	B E Z E I C H N U N G D E S C R I P T I O N D E S C R I Z I O N E	STUECK QTY. QTA.
40	899 785	SCHRAUBENSICHERUNG NIEDRIGFEST LOCTITE 221 VIOLET 10 CC., LOCTITE 221 VIOLETTO, 10 CC.,.....	1
		LOCTITE 221, 10 CCM LOW STRENGTH BOND PASTA FISSAGGIO VITI, DEBOLE	
41	899 788	LOCTITE 648 GRUEN LOCTITE 648 GREEN, 5 GR., LOCTITE 648 VERDE, 5 GR.,.....	1
		SCHRAUBENSICHERUNG HOCHFEST, 5 GR., HIGH STRENGTH BOND PASTA FISSAGGIO VITI, FORTE	
42	297 386	SILASTIC 732 RTV SILASTIC 732 RTV, 100 GR., SILASTIC 732 RTV, 100 GR.,.....	1
		100 GR.,	
43	897 330	LITHIUMSEIFENFETT LITHIUM-BASE GREASE, 250 GR., GRASSO LITHIUM, 250 GR.,.....	1
		250 GR.,	
44	293 318	DICHTUNGSSATZ ZYLINDER GASKET SET, CYLINDER SERIE GUARNIZIONI, CILINDRO.....	1
45	293 314	DICHTUNGSSATZ / GASKET SET SERIE GUARNIZIONI.....	1

